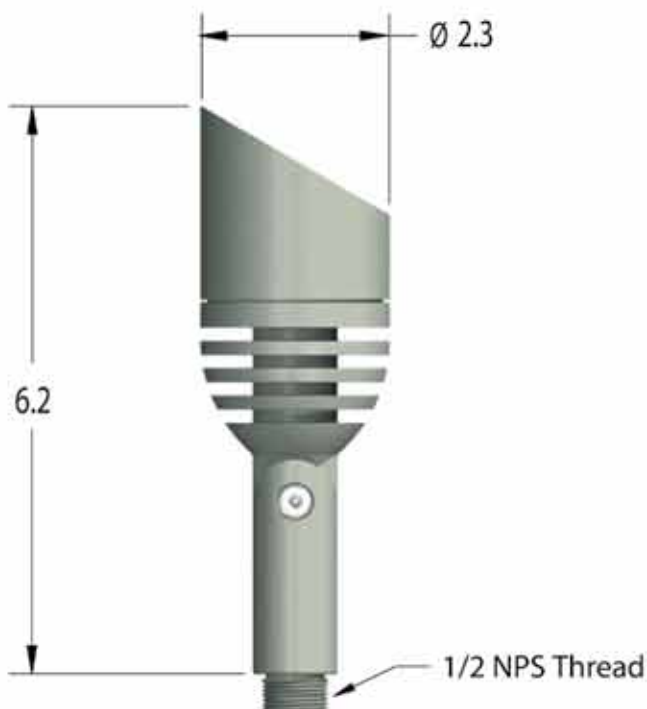


This compact, eco-friendly LED spotlight blends discreetly into the surrounding landscape, combining beauty and durability




Dimensions (inch)

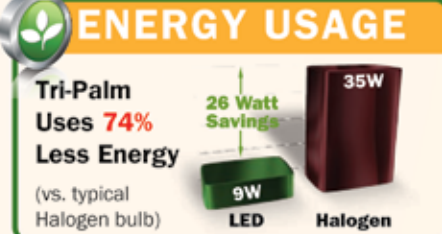
DESCRIPTION

- The Tri-Palm is a compact low energy LED spotlight. Its compact form blends discreetly into the surrounding landscape.
- LED technology delivers reliable low maintenance lighting service.
- Engineered specifically for today's LED technology the Tri-Palm's fixture design provides critical thermal transfer. Excellent heat removal ensures high performance and reliability of its LED light source.
- Other features include anti-wicking power lead, tool-free optic interchange and service upgrade capability.

SPECIFICATIONS

Light Source	High-brightness LED (light emitting diode)
LED Life (L70)	50,000 hours average *
Input Voltage	11 to 15 Vac/Vdc
Power Consumption	8.5 Watts
Color Temperature	3000 CCT (K) Typical
CRI	80 Typical
Optic	Interchangeable TIR lens
Material	6061-T6 Aluminum, Brass or Copper
Fasteners	316L Stainless steel hardware
Standard Mounting	PVC Post and ABS Cap
Operating Temperature	-31F to 122F (-35C to 50C)
Certification	UL1838  3096671

Project	
Fixture Type	
Prepared By	



ENERGY USAGE

Tri-Palm Uses **74% Less Energy** (vs. typical Halogen bulb)

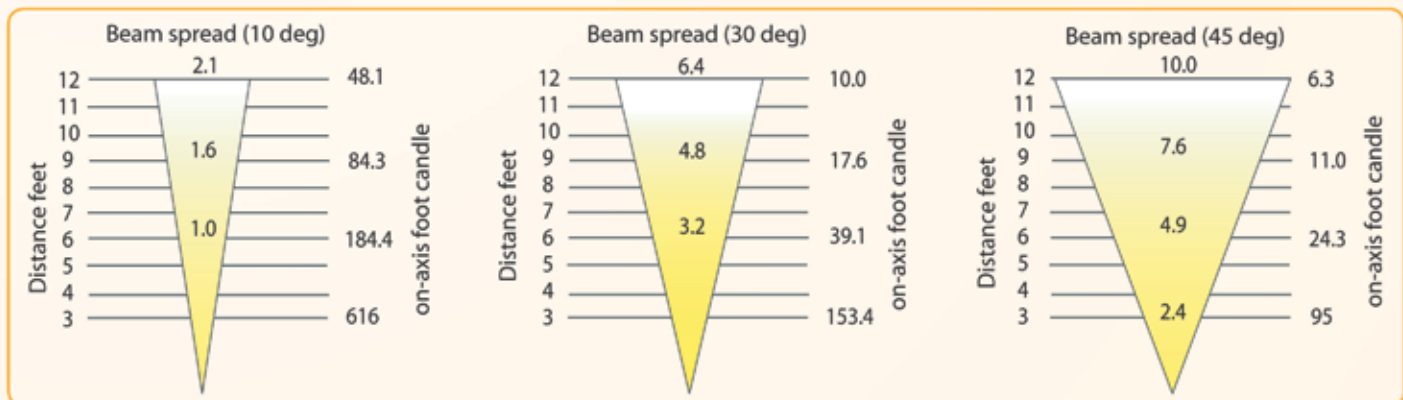
26 Watt Savings

9W LED vs. 35W Halogen



*LED life is defined as the time to 70% lumen maintenance (L70)

BRIGHTNESS



ORDERING GUIDE

Prefix	Material	Optic	Finish
TP	[AL] Aluminum [BR] Brass [CU] Copper	[N] Narrow 10° [M] Medium 30° [W] Wide 45°	[N] Natural [BK] Powder Coat Black [GR] Powder Coat Green [BN] Powder Coat Brown [C] Custom - Please consult our factory for custom finishes